



  
**TECHNOLOGY**

**Software Testing Solutions  
for Productivity and Quality**

[www.verifysoft.com](http://www.verifysoft.com)

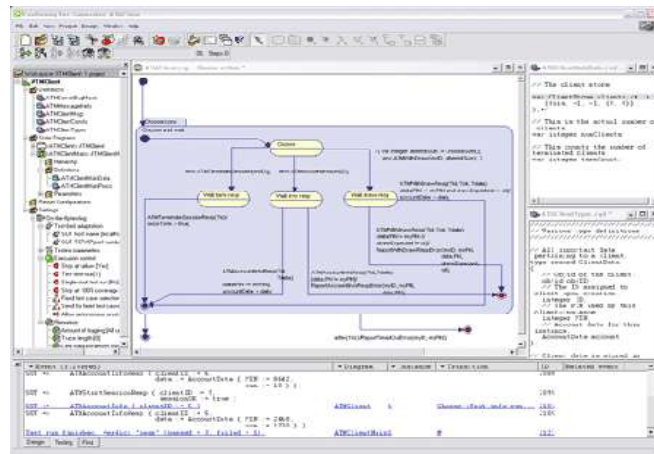
# Testing and Analysis Tools

## Conformiq Test Generator

Automatic Test Generator for all Programming Languages

Conformiq Test Generator is a robust and scalable solution for graphical, UML-based test design and test automation. It enables automated, thorough and cost-effective testing of complex systems.

- Intelligent test execution
- Full support for time, data and concurrency
- UML statechart editing
- Visual model debugging
- Reporting in XML and HTML
- Optimal integration with TestDirector



### Application Areas:

- Interface Testing (JPOS, COM, J2EE, HTTP, SQL, OPC)
- Protocol/Platform testing (TCP/IP, IPsec, GSM, Symbian)
- Functional, system and acceptance testing
- Regression testing (automatic testing of daily builds)
- Integration testing (simulation or parts of a system)



# Testing and Analysis Tools

## Testwell CTC++ Test Coverage Analyzer for C/C++

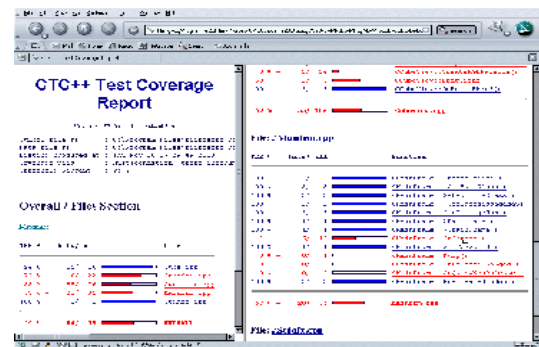
➤Analyses for the following coverages

Statement Coverage  
Decision Coverage  
Condition Coverage  
Multicondition Coverage  
Multiple Condition / Decision Coverage (MC/DC)

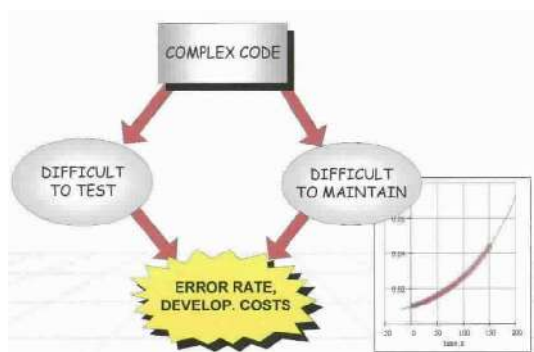
- Integration in all important IDEs
- very low instrumentation overhead
- can be used to obtain test coverage in all embedded targets
- Intuitive and easy to use

➤can be used in order to get DO178-B certifications (for avionics industry)

➤used for other certifications, i.e. EN 61508-3



## Testwell CMT++ and CMTJava Complexity Measures Tools



➤Shows you the parts of your code which are too complex and difficult to maintain

➤Analyses your applications in a few minutes

➤Easy to use

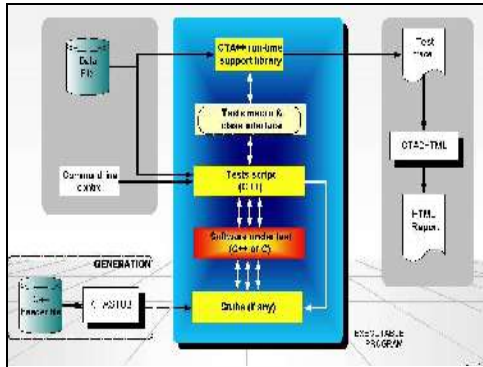
- McCabe Cyclomatic Number
- Lines of Code Metrics
- Halstead Metrics
- Maintainability Index

**Testwell**



# Testing and Analysis Tools

## Testwell CTA++ C++ Test Aider

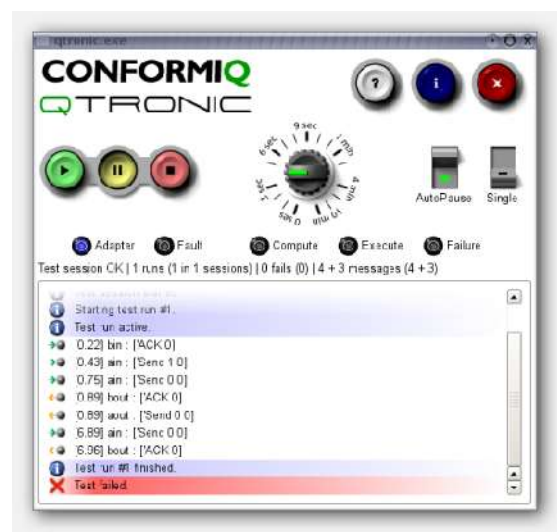


- Test of individual software components in a « stand alone environment » immediately after the coding (no need to have the whole project available)
- „Test in isolation“ - use of stubs
- Stub generation from header files
- Testing „close to the error“
- Automatic test execution
- Repeatable tests, regression testing

- Integration to Visual Studio 6.0 and .NET
- Automatic test documentation
- HTML representation of test results showing summary and detailed views
- Reusing of test cases saves work in derived class testing

## Conformiq Qtronic

- Automatic test generation from design models
- Full support for time, data and concurrency
- UML model import from leading design tools
- Model analysis and validation
- Reporting in XML and HTML
- Optional integrations with test management tools
- Automatic testing based on design models saves effort
- Can be connected to virtually any system



# Customers



**BOMBARDIER**



Par amour de l'automobile



Our tools are in successfully used in huge projects. International groups as well as demanding small and middle-sized companies in more than ten European countries are working with technologies from Verifysoft.

# Verifysoft for Quality and Productivity



Verifysoft Technology GmbH has been founded in 2003 by a group of private investors and software testing specialists. Our company is based in the „Technologiepark“ Offenburg (south west Germany, close to the French border).

As value added distributor we market and support software testing and analysis solutions from leading tool providers, i.e. Testwell, Conformiq Software and Quotium Technologies.

Our engineers have outstanding experience in the testing area.

We propose technical support for all tools. If necessary we also do adaptations according to our customers needs. Some of the tools have been developed in cooperation between Verifysoft Technology and our partners.

Please contact us to receive further information and free evaluations of our technologies:

## Verifysoft Technology GmbH

Technologiepark, In der Spöck 10

D-77656 Offenburg (Germany)

Tel. +49 781 63 92 027

[www.verifysoft.com](http://www.verifysoft.com)

CTA++, CTC++, CMT++, CMTJava are products of **Testwell** Oy, Tampere (Finland)

Conformiq Test Generator and Qtronic are products of **CONFORMIQ** Espoo (Finland)

Photos (page-image):

Aeroweb-fr.net (1-2, 5-4), Heinz Albers [www.heinzalbers.org](http://www.heinzalbers.org) (1-3), Hendyo (5-7), O.F. Bodini (5-5), Conformiq (2-1, 2-2), B. Eenhoorn (5-1), NASA (1-1, 5-3), A. Rinaldi (1-8), Testwell (3-1), Quotium (4-2), Verifysoft Technology GmbH (all other)

Copyright: 2006, Verifysoft Technology GmbH

